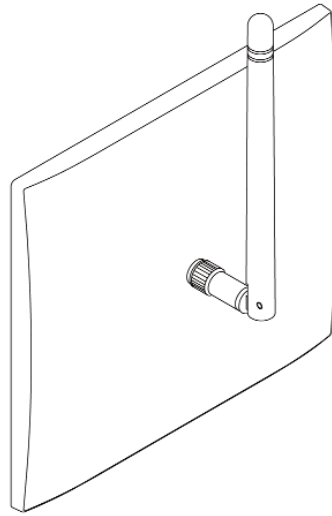


Unison Paradigm® Wireless Access Station

Unison Control Series



GENERAL INFORMATION

The Paradigm Wireless Access Station is designed to allow a simple, yet reliable connection between Unison Paradigm Handheld Touchscreen Stations and the Paradigm control network. Elegant and clean-lined, the stations are designed to complement – not compete with – the aesthetics of any interior environment, while being easy to install using LinkConnect. Artful but durable, Paradigm stations are engineered to stand up to the daily abuse of busy public areas. The Unison Paradigm Wireless Access Station can be customized to suit any décor and application.

APPLICATIONS

- Houses of worship
- Hotels
- Convention centers
- Meeting rooms
- Schools
- Restaurants

FEATURES

- LinkConnect: using Echelon's LonTalk® protocol with LinkPower, the two-wire, topology-free system gives you the freedom to put stations where you need them
- Portable LinkConnect: Allowing the freedom to locate stations wherever necessary, LinkConnect provides unique controls for each connection point to the system
- MeshConnect: wireless connectivity to Paradigm Wireless Access Stations for flexible control wherever it is needed
- Fastener free faceplate system: no visible means of attachment
- Forever legend system: complementary colored (standard) or custom legend options using an indelible, laser-marking method

ORDERING INFORMATION

Remote Access Stations

MODEL	DESCRIPTION
P-LCD-WAS-1F	Paradigm Wireless Access Station - Cream (RAL 9001)
P-LCD-WAS-4F	Paradigm Wireless Access Station - Black (RAL 9004)

Notes:

Above stations flush mount (F) in industry-standard gang boxes. (By others)
Also available in surface-mount (S) configurations. (Contact ETC)

Related Products

MODEL	DESCRIPTION
P-LCD-H	Handheld Touchscreen Station
P-LCD-WAS	Handheld Touchscreen Wireless Access Station

Unison Paradigm® Wireless Access Station

Unison Control Series

SPECIFICATIONS

FUNCTIONAL

- Connects Paradigm Handheld Touchscreen wirelessly
- Wireless range of 100 feet, line of sight
- Provides unique touchscreen configurations at each wireless connection point

MECHANICAL

- Two-gang faceplate with enclosed electronics assembly
- No visible means of attachment
- Flush-mount in industry-standard backbox, RACO 690 or equivalent
- Surface-mount backboxes available from manufacturer
- Constructed with injection-molded, ABS plastic in five standard colors, matched to RAL standard colors
- Custom colors available with sample
- Support indelible laser-marked legends in a contrasting color

ELECTRICAL

- Connect via LinkConnect control network utilizing low-voltage Class II wiring
- Topology-free and polarity-independent wiring over Belden 8471 (or equivalent), two #16 AGW wires and one #14 ESD drain wire
- Wiring may be bus, loop, home-run or any combination of these
- All station terminations use pluggable connectors
- UL and cUL Listed, CE Marked

THERMAL

- Ambient room temperature: 0-40°C / 32-104°F
- Ambient humidity: 10-95% non-condensing

PHYSICAL

Dimensions

MODEL	HEIGHT		WIDTH		DEPTH	
	inches	mm	inches	mm	inches	mm
P-LCD-WAS	4.50	115	4.95	126	0.39	10

Weights*

MODEL	WEIGHT		SHIPPING WEIGHT	
	lbs	kgs	lbs	kgs
P-LCD-WAS	1.80	0.82	2.6	1.18

*Weights and dimensions typical

