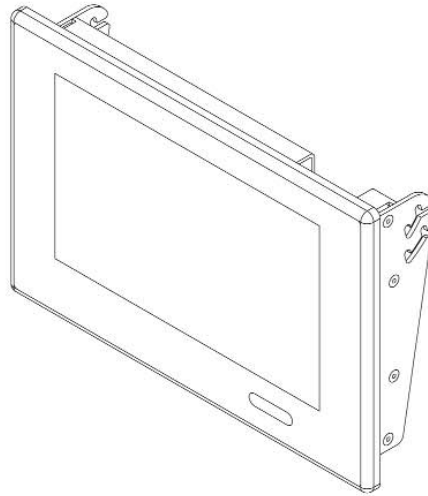


Unison® Paradigm® Wall Mount Touchscreen

Unison Control Series



GENERAL INFORMATION

Paradigm Touchscreens use high-resolution, wide-screen, color liquid-crystal displays (LCD) that are bright and easy to read, with controllable back lights. The touch-sensitive panels provide audible and visual feedback that tells you your commands are fully registered. Designed to your specifications with ControlDesigner™ software, the Touchscreen's clear and intuitive graphics guide you quickly through your lighting and control options. Adapt your Touchscreen's unique look, choosing from user definable control elements.

APPLICATIONS

- Churches
- Hotels
- Convention Centers
- Meeting Rooms
- Schools
- Restaurants

FEATURES

- 7" WVGA (800x480) 24-bit color LCD touchscreen
- ColorPicker – Support for HSB color picker for dynamic selection of color with LED and multiparamiter fixtures
- Timed Event creation, edit, and override from setup menu
- Ready-When-You-Are – built in proximity and ambient light sensors make sure the station is ready to respond when you are about to use it
- Secure-it Electronic Lockout – configurable, software based access level control with up to three levels of access utilizing numeric pass codes
- LinkConnect – using Echelon® LonTalk® protocol with LinkPower, the two wire topology-free system gives you the freedom to put stations where you need them
- NetConnect – making use of low-cost, easy to install Cat5 with PoE to connect LCD stations to a networked Paradigm System
- USBConnect – Support for USB flash drives for configuration upload and download
- QuickLoad – SD Media support for upload, and backup of configuration data
- Support of standard or custom graphical control pages

ORDERING INFORMATION

Paradigm Wall Mount Touchscreen

MODEL	DESCRIPTION
P-LCD-_F	Paradigm 7" Flush Mount Touchscreen
P-LCD-_S	Paradigm 7" Surface Mount Touchscreen

Insert station color selection in the __ space provided:

- 1 = Cream (RAL 9001)
- 2 = Ivory (RAL 1015)
- 3 = Gray (RAL 7001)
- 4 = Black (RAL 9004)
- 5 = Signal White (RAL 9003)
- 6 = Clear Anodized Bezel with Black overlay

Paradigm Touchscreen Accessories

MODEL	DESCRIPTION
P-LCD-FBB	Paradigm Touchscreen Flush Mount Back Box
P-LCD-SBB	Paradigm Touchscreen Surface Mount Back Box
P-LCD-SLBB	Paradigm Touchscreen Locking Backbox (Surface)
P-LCD-LC	Paradigm Touchscreen Hinged Locking Cover

Unison® Paradigm® Wall Mount Touchscreen

Unison Control Series

SPECIFICATIONS

FUNCTIONAL

- Built-in setup display, separate from user configured pages
- Configuration upload from the following sources:
 - LightDesigner™ software
 - Paradigm Architectural Control Processor
 - SD media, via built in SD card slot
 - USB Flash Drive, via built in USB port
- Ability to store multiple configurations on one touchscreen and select which configuration is active from an on-screen menu
- Allows at least 30 separate control pages
- Individual zone control
- Preset record and selection
- Room Combine Controls
- Preset, color, sequence, macro, and custom function activation
- Change, initiate, or override timed events
- Multi-level electronic lockout
- Custom controls configured from LightDesigner software
- Custom graphics from ControlDesigner™ software

MECHANICAL

- LED backlit, color LCD display with touchscreen interface
- Aluminum bezel with no visible means of attachment
- Manufacturer provided back boxes for surface and flush mount applications
- Adjustable brightness and contrast for low light conditions
- 7" WVGA, display (800x480) with 24-bit color

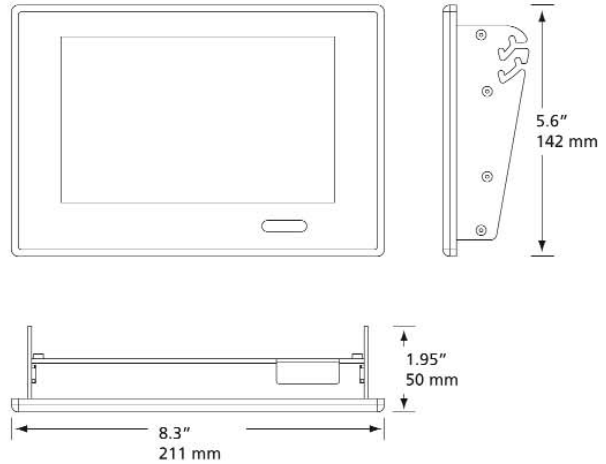
ELECTRICAL

- Connect using LinkConnect control network utilizing low voltage Class II wiring
- Topology free and polarity independent wiring over Belden 8471 or equivalent plus (2) #16 for 24vDC AuxPower and (1) #14 ESD drain wire
- Wiring may be bus, loop, home-run or any combination of these
- Optional wiring over CAT5/ 5e with Power over Ethernet for networked systems
- UL and CUL LISTED, CE marked

THERMAL

- Ambient room temperature: 0-40°C / 32-104°F
- Ambient humidity: 10-90% non-condensing

PHYSICAL



P-LCD Dimensions*

MODEL	HEIGHT		WIDTH		DEPTH	
	inches	mm	inches	mm	inches	mm
P-LCD-_F	5.60	142	8.30	211	1.95	50
P-LCD-_S	5.60	142	8.30	211	1.95	50
P-LCD-FBB	5.35	136	8.00	203	3.25	83
P-LCD-SBB	5.60	142	8.30	211	2.5	64

P-LCD Weights*

MODEL	WEIGHT		SHIPPING WEIGHT	
	lbs	kgs	lbs	kgs
P-LCD-_F	1.5	.68	4	1.8
P-LCD-_S	1.5	.68	4	1.8

*Weights and dimensions typical