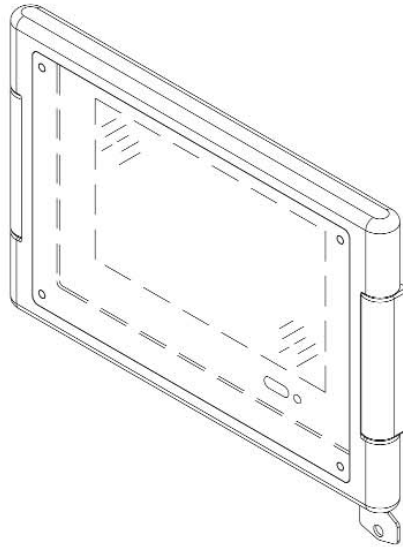


Unison® Paradigm® Touchscreen Locking Cover

Unison Control Series



GENERAL INFORMATION

Artful but durable, Paradigm Locking Covers are engineered to stand up to the daily abuse of busy public areas. A member of the Secure-It family of products, Unison Paradigm Locking Covers are designed to prevent unauthorized use of Paradigm Touchscreen Stations, while providing protection for the station from accidental damage. Elegant and clean-lined, Unison Paradigm Locking Covers are designed to complement the aesthetics of any interior environment. Paradigm Locking Covers are designed to allow easy access when required while providing visual feedback of the system status through a smoked lexan window.

APPLICATIONS

- Churches
- Hotels
- Convention Centers
- Meeting Rooms
- Schools
- Restaurants

FEATURES

- Secure-It – Decide who has access to the lighting controls, locking out any unwanted actions, while protecting a Paradigm Touchscreen station from external damage.
- Designed for use with all Paradigm wall mount Touchscreen stations

ORDERING INFORMATION

Paradigm Touchscreen Locking Cover

MODEL	DESCRIPTION
P-LCD-LC-__	Paradigm Touchscreen Locking Cover

PARADIGM TOUCHSCREEN STATIONS

MODEL	DESCRIPTION
P-LCD-_F	Paradigm 7" Flush Mount Touchscreen
P-LCD-_S	Paradigm 7" Surface Mount Touchscreen

For Paradigm Touchscreens and Locking Covers specify color in __ space provided:

- 1 = Cream (RAL 9001)
- 2 = Ivory (RAL 1015)
- 3 = Gray (RAL 7001)
- 4 = Black (RAL 9004)
- 5 = Signal White (RAL 9003)

LOCKING COVER COMPATIBLE BACK BOXES

MODEL	DESCRIPTION
P-LCD-FBB	Paradigm Touchscreen Flush Mount Back Box
P-LCD-SLBB	Paradigm Touchscreen Locking Surface Mount Back Box

Unison® Paradigm® Touchscreen Locking Cover

Unison Control Series

SPECIFICATIONS

FUNCTIONAL

- For flush and surface-mount applications
- Mounts to ETC provided flush or surface mount back box
- Accommodates mounting for left or right door swing
- Includes integrated key lock
- Maintains functionality proximity and ambient light sensors

MECHANICAL

- Constructed of cast aluminum
- Finished using fine-texture powder coat paint in five standard colors
- Color matched to RAL standard colors
- Smoked polycarbonate window
- Integrated key cylinder with two keys
- No visible means of attachment
- Can be added to flush mount Touchscreen stations after installation

PHYSICAL

P-LCD Dimensions*

MODEL	HEIGHT		WIDTH		DEPTH	
	inches	mm	inches	mm	inches	mm
P-LCD-LC	6.70	171	10.00	254	0.82	21

P-LCD Weights*

MODEL	WEIGHT		SHIPPING WEIGHT	
	lbs	kgs	lbs	kgs
P-LCD-LC	2.01			

*Weights and dimensions typical

