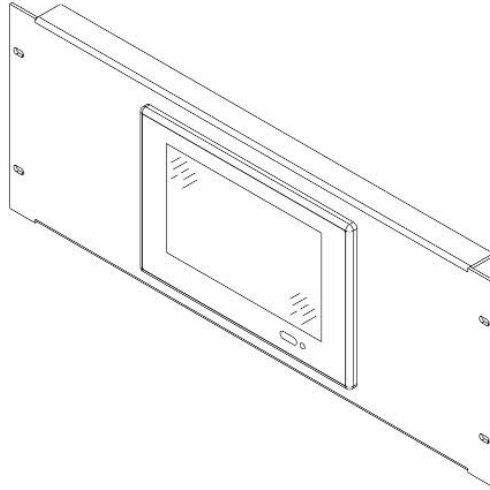


Unison® Paradigm® Rack Mount Touchscreen

Unison Control Series



GENERAL INFORMATION

Paradigm Touchscreens use high-resolution, wide-screen, color liquid-crystal displays (LCD) that are bright and easy to read, with controllable back lights. The touch-sensitive panels provide audible and visual feedback that tell you your commands are fully registered. Designed to your specifications with ControlDesigner™ software, the Touchscreen's clear and intuitive graphics guide you quickly through your lighting and control options. Adapt your Touchscreen's unique look, choosing from user definable control elements.

APPLICATIONS

- Churches
- Convention Centers
- Schools
- Theatres

FEATURES

- 7" WVGA (800x480) 24-bit color LCD touchscreen
- 19" rack mount panel 4 E.I.A. rack units tall
- ColorPicker – Support for Hue Saturation and Brightness (HSB) color wheel for dynamic selection of color with LED and multiparamiter fixtures
- Timed Event creation, edit, and override from setup menu
- Ready-When-You-Are – built in proximity and ambient light sensors make sure the station is ready to respond when you are about to use it
- Secure-it Electronic Lockout – configurable, software based access level control with up to three levels of access utilizing numeric pass codes
- LinkConnect – using Echelon® LonTalk® protocol with LinkPower, the two wire topology-free system gives you the freedom to put stations where you need them
- NetConnect – making use of low-cost, easy to install Cat5 with PoE to connect LCD stations to a networked Paradigm System
- USBConnect – Support for USB flash drives for configuration upload and download
- QuickLoad – SD Media support for upload, and backup of configuration data
- Support of standard or custom graphical control pages

ORDERING INFORMATION

Paradigm Rack Mount Touchscreen

MODEL	DESCRIPTION
P-LCD-RM	Paradigm 7" Rack Mount Touchscreen

Unison® Paradigm® Rack Mount Touchscreen

Unison Control Series

SPECIFICATIONS

FUNCTIONAL

- Built-in setup display, separate from user configured pages
- Configuration upload from the following sources:
 - LightDesigner™ software
 - Paradigm Architectural Control Processor
 - SD media, via built in SD card slot
 - USB Flash Drive, via built in USB port
- Ability to store multiple configurations on one touchscreen and select which configuration is active from an on-screen menu
- Allows at least 30 separate control pages
- Individual zone control
- Preset record and selection
- Room Combine Controls
- Preset, color, sequence, macro, and custom function activation
- Change, initiate, or override timed events
- Multi-level electronic lockout
- Custom controls configured from LightDesigner software
- Custom graphics from ControlDesigner™ software

MECHANICAL

- 19" Rack mount panel constructed of .10 Aluminum and finished in a black fine-texture powder coat paint
- 4 E.I.A rack units in height
- LED backlit, color LCD display with touchscreen interface
- Aluminum bezel with no visible means of attachment finished in black (RAL 9004) fine textured powder coat paint
- Digitally printed, color matched polycarbonate overlay
- Adjustable brightness and contrast for low light conditions
- 7" WVGA, display (800x480) with 24-bit color

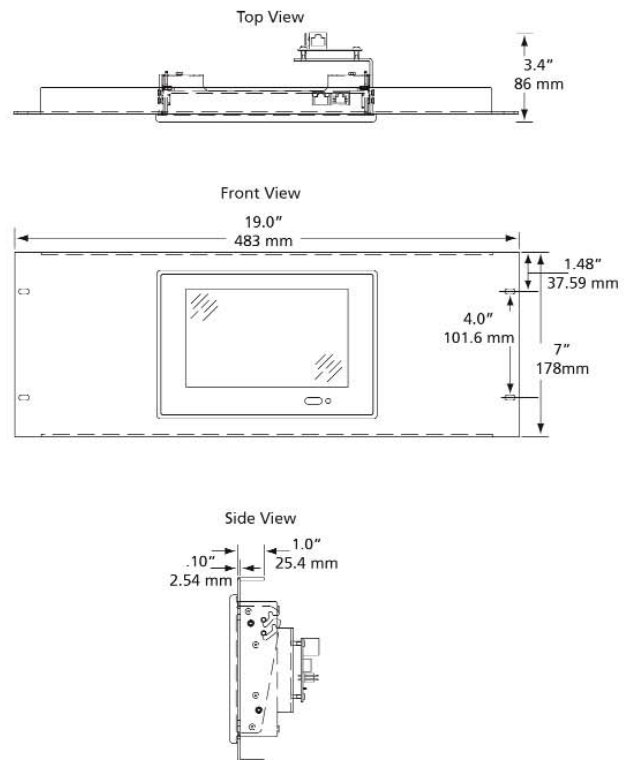
ELECTRICAL

- Connect using LinkConnect control network utilizing low voltage Class II wiring
- Topology free and polarity independent wiring over Belden 8471 or equivalent plus (2) #16 for 24vDC AuxPower and (1) #14 ESD drain wire
- Wiring may be bus, loop, home-run or any combination of these
- Optional wiring over CAT5/ 5e with Power over Ethernet for networked systems
- UL and cUL LISTED, CE marked

THERMAL

- Ambient room temperature: 0-40°C / 32-104°F
- Ambient humidity: 10-90% non-condensing

PHYSICAL



P-LCD Dimensions*

MODEL	HEIGHT		WIDTH		DEPTH	
	inches	mm	inches	mm	inches	mm
P-LCD-RM	7.0	178	19.0	483	3.4	86

P-LCD Weights*

MODEL	WEIGHT		SHIPPING WEIGHT	
	lbs	kgs	lbs	kgs
P-LCD-RM	4.2	1.9	6.3	2.8

*Weights and dimensions typical