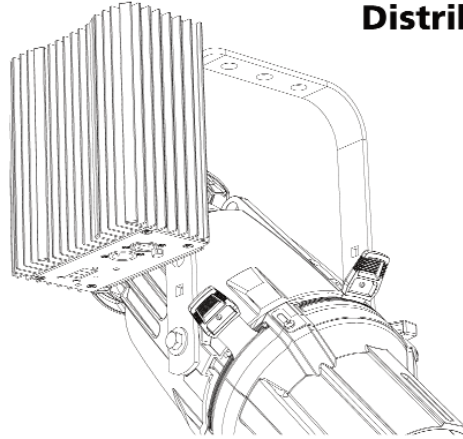


Source Four CE Dimmer

CE 100V 115/120V 230/240V

Distributed Dimming Series



GENERAL INFORMATION

The Source Four Dimmer offers a new standard in 230V high-performance tungsten lighting applications with an integrated dimmer. Using ETC's Electronic Silent* (ES) technology and a convection cooled design, this high-performance dimmer can be placed in auditoriums with very demanding acoustic requirements. By taking DMX control signals directly, this self-dimming tungsten fixture can now reside alongside LEDs and moving lights, allowing system designs that focus on switched power and data distribution instead of centralised dimming systems.

APPLICATIONS

- Applications requiring distributed dimming and position flexibility:
 - Theatre
 - Hybrid incandescent, LED and discharge systems.
 - Industrial productions
 - Hire inventory
 - Conference and exhibition centres
 - Multi-use venues such as schools and meeting rooms

FEATURES

- ES Dimming technology
 - Reduces 230V input to 115V output for increased lamp efficiency
 - Produces no lamp noise (Exceeds all risetime specs)
 - Electronics sound pressure level less than 0dBA at 1 meter
 - Convection-cooled
- ANSI E1.20 RDM and ANSI E1.11 DMX512A
- Yoke-mount; Universal-mounting bracket included, direct-mounting on a fixture yoke in multiple orientations to accommodate maximum flexibility
- Local operation
 - One press dim to FULL for easy focusing (press again to release to DMX input)
 - Up and down level control
 - Returns to previous level after power loss
- No electrical assembly required: Ships as complete kit with burner assembly - just mount to the yoke and place lamp burner at the back of an existing fixture

*Sound level pressure falls below minimum audible field 0-20kHz @ < 1 meter from unit

ORDERING INFORMATION

Dimmer kits for Source Four CE

PART NO.	DESCRIPTION
7145K1211-0X	Source Four Dimmer retrofit kit with burner assembly, Black.
7145K1401-0	Bracket Kit for double clutch yokes, Black (see note below)
7145K1213-0X	Source Four jr Dimmer retrofit kit with burner assembly, Black
7145K1212-0X	Source Four PAR Dimmer retrofit kit with burner assembly, Black (PAR EA, PAR MCM and PARNel)

NOTE: For luminaires with double clutch yoke (Source Four 5° and Zooms), the 7145K1401 Bracket Kit need to be ordered in addition to 7145K1211. Extension -1 for white and -5 for silver grey/custom colour.

Source Four CE luminaires with dimmer attached

PART NO.	DESCRIPTION
7060A1801-0X	Source Four CE luminaire body with shutter barrel and dimmer, Black (Lens tube to be ordered separately)
7060A1802-0X	Source Four CE Zoom 15°-30° with dimmer, Black
7060A1803-0X	Source Four CE Zoom 25°-50° with dimmer, Black
7062A1801-0X	Source Four CE jr 26° with dimmer, Black
7062A1802-0X	Source Four CE jr 36° with dimmer, Black
7062A1803-0X	Source Four CE jr 50° with dimmer, Black
7062A1809-0X	Source Four jr CE Zoom 25°-50° with dimmer, Black
7061A1801-0X	Source Four CE PAR EA with dimmer, Black
7061A1803-0X	Source Four CE PAR MCM with dimmer, Black
7061A1802-0X	Source Four CE PARNel with dimmer, Black
7064A1211-0X	Source Four CE Fresnel with dimmer, Black

NOTES: For dimmer retrofit kits and complete fixtures in other colours than black, use extension -1X for white and -5X for silver grey/custom colour.

Suggested lamps:

RT116 HPL 750W 115V 300h 3250°K
 RT196 HPL 750W 115V 1500h 3050°K Longlife
 RT113 HPL 575W 115V 300h 3250°K
 RT114 HPL 575W 115V 2000h 3050°K Longlife

Source Four Dimmer

Distributed Dimming Series

SPECIFICATIONS

GENERAL

- Designed for use with all tungsten Source Four® family luminaires
- Electronic Silent technology for operation free of dimmer and lamp filament noise
- Changes your Source Four into a truly distributed luminaire with onboard dimming and control
- Electronic Dimming with harmonic and noise suppression
 - Acoustic specification replaces dimmer rise time

MECHANICAL

- Manufactured of epoxy painted aluminium body and anodised aluminium heat sink
- Multiple yoke-fixing hole combinations for flexible mounting to the fixture
- Convection-cooled; operates without cooling fans

ELECTRICAL

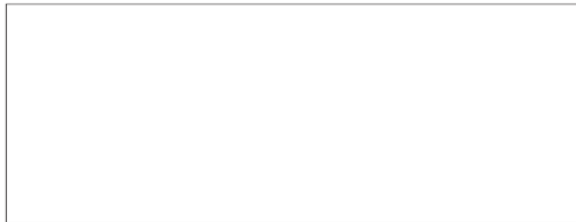
- Input power feed:
 - Suggested breaker sizing: 16A
 - Voltage ranges: 85-140V, 180-260V
 - Frequency range: 47-63Hz
- Output regulation options for 230V operation:
 - Acoustic specification replaces risetime 115V output: Maximum luminaire efficiency is achieved using 115V lamps
 - 230V output: use with standard 230V lamps
- Bare-end power cable input
- Lamp burner directly connected to output cable
- 2500V isolation between control and power components
- Max output 750W
- DMX* In and Thru
- DMX thru is not self-terminating
- Electronic overcurrent protection
- CE Compliant

*Represents 1/4 unit device load for purpose of calculating DMX daisy-chain device count (max 32 Unit devices per DMX chain)

THERMAL

- Maximum ambient temperature 40°C
- Humidity between 10 - 95%, non-condensing
- Convection-cooled
- Optimum cooling when mounted with heatsink fins in vertical position

AVAILABLE FROM



SPECIFICATIONS

CONTROL FEATURES

- DMX512A/RDM In and Through via 5-Pin XLR connectors
- Supports up to 32 units on one DMX line
- RDM features:
 - Discover (flashes light output)
 - Find and set DMX address
 - Change curve
 - Receive overcurrent/undercurrent warnings
 - Receive overtemperature warning
- Three-button local control: Focus/test, up and down
 - Single button dim to full for focus
 - Up/down buttons for setting DMX address or for local intensity control
- One status indicator: Multicolour LED for power, error and valid DMX
- Three selectable dimmer output curves:
 - IES modified square law
 - Linear
 - Switched (50% threshold)

PHYSICAL

Source Four Dimmer Dimensions*

MODEL	HEIGHT	WIDTH	LENGTH
	mm	mm	mm
S4Dim	165	91	187

Source Four Dimmer Weights*

MODEL	WEIGHT	SHIPPING WEIGHT
	kg	kg
S4Dim	1.8	2.7

*Weights and dimensions typical

