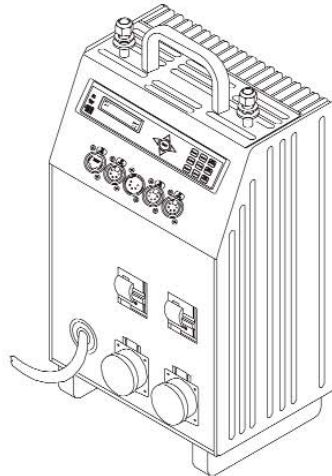


# 2x2.5 kW SineWave Power Module

CEE 230/240V

Portable SineWave Series



## GENERAL INFORMATION

ETC Portable SineWave Power Modules represents the most advanced dimming system available today. SineWave Power Modules offer completely silent dimming, convection cooling (no fan noise) in a compact self-contained package. Sine wave dimming produces a pure sine wave output for any lighting load and eliminates the inherent problems with forward and reverse phase control - noise and harmonics.

The high efficiency (low heat dissipation) of the dimmer circuit, combined with its compact design and electronic protection makes the Power Module ideally suited to distributed dimming schemes where a central dimmer room is unavailable or undesirable. Can be placed on the floor, hanging from truss/pipe or mounted on the wall using the accessory kit.

### APPLICATIONS

- Digital dimming applications requiring position flexibility:
  - TV studio
  - Theatre
  - Opera House
  - Houses of Worship

### BENEFITS

- No audible filament or dimmer noise
- Reduced electrical disturbances (less than 1% added harmonics to the incoming supply)
- Controls a wide range of load types
- Saves costs in installation wiring and power distribution
- Adds flexibility to a lighting system
- Extended lamp life

### FEATURES

- Dual 2.5kW dimmer
- Variable amplitude sine wave output
- Automatic short circuit protection
- DMX In and Thru
- Supports Net3 (sACN) and AVAB protocols over Ethernet
- Built-in two port DMX iNode (Port A to include DMX addresses used for the SC2-2S dimmer)
- Local channel test facility
- Programmable control and individual channel settings

## ORDERING INFORMATION

### Portable Power Module

PART#	DESCRIPTION
7520A1012	SC2-2S Portable Power Module 2 x 2.5kW. CEE load connectors. Power cable 1.5m with CEE 32A connector

### Other portable Power Modules and Accessories

PART#	DESCRIPTION
7520A1012-X	SC2-2Sx Portable Power Module 2 x 2.5kW. CEE load connectors. Power cable 1.5m with CEE 32A connector. DMX only
7520A1014	SC2-2/5S Portable Power Module 2 x 2.5kW. or 1 x 5kW. CEE load connectors. Power cable 1.5m with CEE 32A connector
7520A1013	SC1-5S Portable Power Module 1 x 5 kW. CEE 32A load connector. Power cable 1.5m with CEE 32A connector
7520A1013-X	SC1-5Sx Portable Power Module 1 x 5 kW. CEE 32A load connector. Power cable 1.5m with CEE 32A connector. DMX only
7540A1-9910	DimStat Software for PC
7520K1001	SC Wallmount Bracket Kit

# 2x2.5 kW SineWave Power Module

## Portable SineWave Series

### SPECIFICATIONS

#### GENERAL

- Two 2.5kW dimmers in portable cabinet
- Installation requires attachment for safety cables, main power via flexible cable and data via Ethernet or DMX

#### MECHANICAL

- Manufactured in high grade aluminium with a black finish
- Integrated suspension points for mounting hardware (hook clamps, half couplers or wallmt. kit)
- Convection cooled - operates without cooling fans or filters

#### ELECTRICAL

- Mains supply: 230V 50/60 Hz
- 22 Amp. max. current
- 2 x 2.5kW
- Minimum load 10W
- Input via 3 x 4mm<sup>2</sup> flexible cable 1.5m
- Load connectors:
  - 2 x CEE 16A 2.5kW
- Load power factor: Any
- Control: Ethernet (Ethercon) or DMX512A (XLR5) In and Through connectors
- Two Port iNode: DMX Out A and B (XLR5)
- Non-dim function per channel
- Dimmer reporting (Requires DimStat software package)

#### THERMAL

- Ambient temperature up to 45° C)
- Humidity between 30 – 95% non-condensing
- Natural convection cooling from heatsinks
- Use in upright position only for optimal cooling.

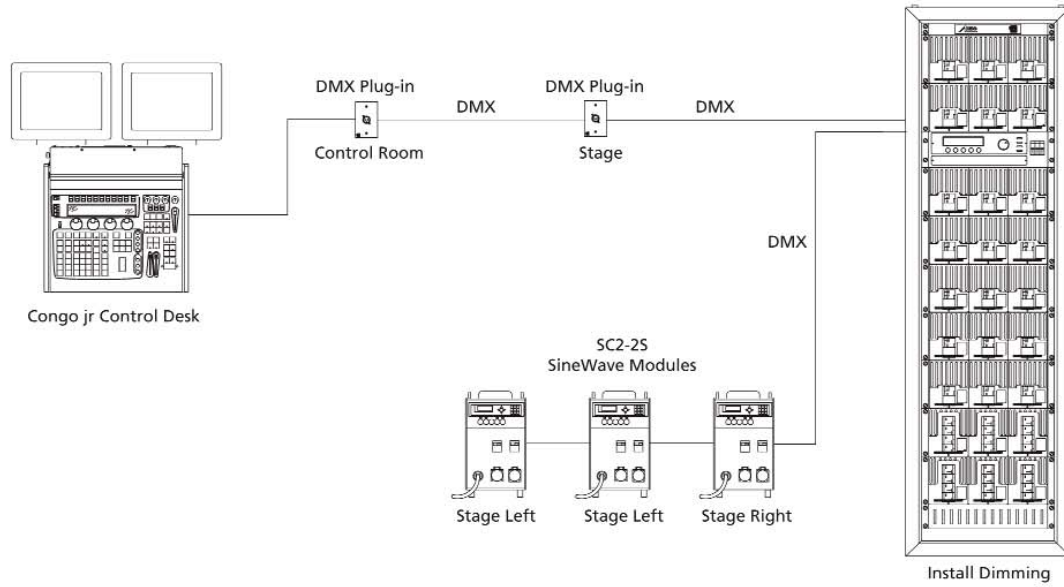
#### CONTROL FEATURES

- DMX512 In and Thru via 5Pin XLR connectors
- Supports up to 32 Power Modules on one DMX line
- High contrast 2-line by 20-character backlit LCD with graphic channel level indications
- 9-button keypad plus arrow array and Enter button
- 2 status LED indicators: Power and Valid DMX
- Programmable options per channel: max/min levels, response time, non-dim operation, dimmer curve
- Local manual control and 20 preset chase patterns for stand alone operation
- 48 programmable presets
- 20 pre-programmed effect sequences
- Programmable start modes with soft start for higher wattage lamps and burst start for cold filaments
- DMX Backup settings - Selectable Data Loss Behavior
- Voltage Regulation to maintain levels in the event of mains supply fluctuating ( $\pm 1V$  for every 10V input voltage swing)
- Password protection for access to DMX, Configuration and Install menus
- Software includes control settings such as IP address, Subnet Mask and Gateway

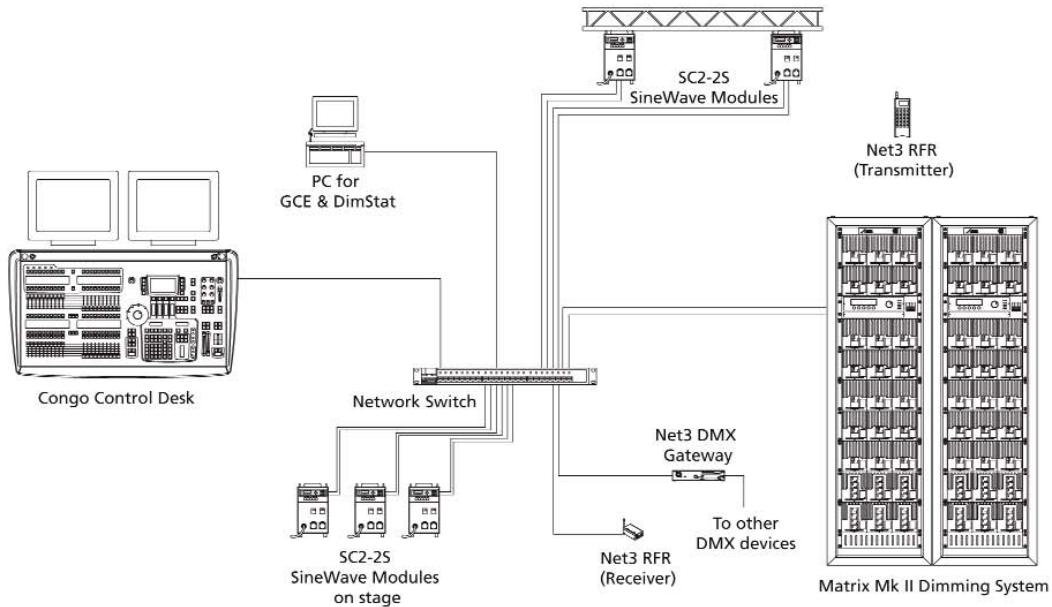
# 2x2.5 kW SineWave Power Module

## Portable SineWave Series

### TYPICAL SYSTEM RISER



### TYPICAL NETWORK RISER



# 2x2.5 kW SineWave Power Module

## Portable SineWave Series

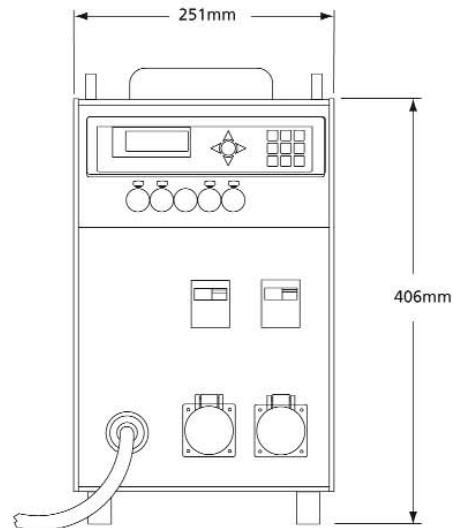
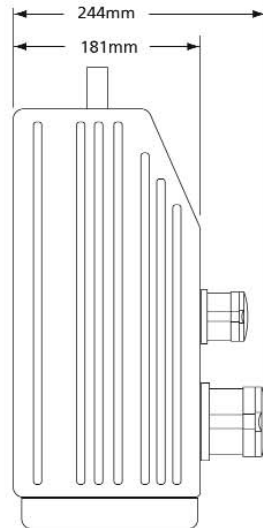
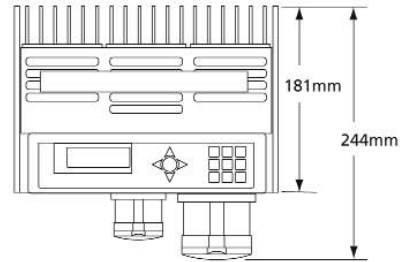
### PHYSICAL

#### Power Module Dimensions

MODEL	HEIGHT	WIDTH	DEPTH
7520A1012	406mm	251mm	244mm

#### Power Module Weights

MODEL	TYPICAL WEIGHT
7520A1012	13.4Kg



#### AVAILABLE FROM

