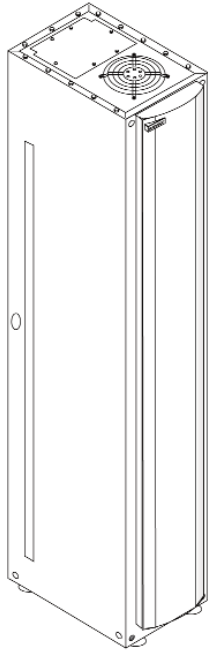


Sensor3 CE Power System installation racks

CE 220-240V

Sensor3 Series



GENERAL INFORMATION

Sensor3 dimming systems provide high density, professional features and exceptional reliability for lighting applications that require the best the entertainment industry can offer.

APPLICATIONS

- Professional entertainment venues
- Production studios
- Concert and performance halls
- Themed entertainment and architectural install
- Multi-purpose conference and exhibition venues

FEATURES

- High dimmer density
- 12, 24, 36, and 48 module racks available
- Rugged industrial construction
- Installation flexibility
- Adaptable modular design
- SCCR rating 22kA - 46kA at 230V depending on module type
- Single or dual electronic processors
- Advanced configuration editing built into rack
- Stores up to 64 backup presets in memory
- Direct Ethernet control signal input (Net3™, sACN)
- Two DMX512-A inputs
- Standard system and rack monitoring with diagnostic reporting
 - Optional advanced modules support individual circuit reporting and error messaging reporting

ACCESSORIES

- Backup Stations
- 5-Port Ethernet switch (ESR 24-ESR36-ESR48 Single processor racks only)
- Sound Suppression Hood
- Floor pedestal for 24-module rack
- Document holder

ORDERING INFORMATION

Standard CE Installation Racks

PART NO.	DESCRIPTION
7144A1029-4	ESR3N-48 Sensor3 CE 48-Module Standard Rack Neutral Disconnect
7144A1033-4	ESR3N-36 Sensor3 CE 36-Module Standard Rack Neutral Disconnect
7144A1037-4	ESR3N-24 Sensor3 CE 24-Module Standard Rack Neutral Disconnect
7144A1041-4	ESR3N-12 Sensor3 CE 12-Module Standard Rack Neutral Disconnect
Advanced (AF) CE Installation Racks	
7144A1030-4	ESR3AFN-48 Sensor3 CE 48-Module Advanced Features Rack Neutral Disconnect
7144A1034-4	SR3AFN-36 Sensor3 CE 36-Module Advanced Features Rack Neutral Disconnect
7144A1038-4	ESR3AFN-24 Sensor3 CE 24-Module Advanced Features Rack Neutral Disconnect
7144A1042-4	ESR3AFN-12 Sensor3 CE 12-Module Advanced Features Rack Neutral Disconnect

Rack Accessories

PART NO.	DESCRIPTION
7140A1001	CEM3 - Sensor3 CE Network Processor
7171A1001	NEFM - Network Electronic Filler Module w. 5 Port Ethernet Switch (ESR24-ESR36-ESR48 racks only)
Tba	Dual Processor Redundant Tracking Kit (processor not included) - for ESR24-ESR36-ESR48 racks only
7150A3010	EFM Blank Electronic Filler Module (ESR24-ESR36-ESR48 racks only)
7140K1001	Sensor3 Ride Thru Kit (Supplies power to CEM3 for brief power outages)
7140A1002	Sensor3 Wall Mount Battery Pack enclosure w. one battery (Feeds one Sensor3 rack)
7140A1002-1	Sensor3 Wall Mount Battery Pack enclosure w. two batteries (Feeds two Sensor3 racks)
HW6111	Floor Vibration Mount Kit
HW6109	Wall Vibration Mount Kit (ESR24 racks only)
7071A1033	Floor pedestal for 24-module rack

Sensor3 CE Power System installation racks

Sensor3 Series

SPECIFICATIONS

GENERAL

- Racks available in four sizes
 - ESR3-48 48 modules, 96 dimmers maximum
 - ESR3-36 36 modules, 72 dimmers maximum
 - ESR3-24 24 modules, 48 dimmers maximum
 - ESR3-12 12 modules, 24 dimmers maximum
- Dual density (two dimmers per module) and single density dimmer modules available
- Operating temperature: 0-40°C
 - Dimmer room HVAC systems must at all times maintain the specified ambient temperature at the dimmer rack. Dimming systems operating within 5° C of the upper or lower temperature limits must strictly follow installation and operation guidelines to operate reliably.
- Relative humidity: 10-90% non-condensing
- All racks conform to CE

MECHANICAL

- Rugged 1.5mm steel construction
- Fine-textured, scratch-resistant black epoxy paint
- ESR3-12 and ESR3-24 are wall mounted, optional pedestal for the ESR3-24, ESR336 and ESR3-48 are floor mounted
- Top and bottom conduit access through removable panels (ESR3-48) or knockouts (ESR3-12, ESR3-24 and ESR3-36)
- Keyed module slots prevent insertion of inappropriate module types
- Front access to all wiring and terminations
- Full height locking door
- Electrostatic air filter easily removed from door for periodic cleaning
- High efficiency cooling system with airflow sensor
- High visibility LED status beacon

ELECTRICAL

- Three phase 230/400VAC or single phase 230VAC
- ESR48+ accepts three phase only
- Line feed frequencies from 47-63Hz
- Line feed voltage range is 220-240VAC
- Load terminals accept up to 25mm² wire (see chart)
- SCCR rating 22kA - 46kA at 230V depending on module type
- Auxiliary equipment racks and custom switchgear/distribution available (call ETC for details)

CONTROL ELECTRONICS

- CEM3 Power Control
- Full number pad for fast access to dimmer override and setup
- Graphical backlit display
- Single or dual electronics
- Single Ethernet control signal input per controller
- Secondary Ethernet convenience uplink to Net3 lighting system.
- Two DMX512-A inputs

OPTIONS

- Advanced modules support dimmer-specific load and diagnostic/error reporting
- Vibration reduction kits available for all racks

ADDITIONAL INFORMATION

Compatible Dimmer Modules

SENSOR STANDARD MODULES	
See Sensor CE Standard dimmer module datasheet	
SENSOR ADVANCED DIMMER MODULES	
See Sensor CE Advanced (AF) dimmer module datasheet	
SENSOR SPECIAL PURPOSE MODULES	
See Sensor CE Relay and Constant Power module datasheet	

Other Accessories

PART NO.	DESCRIPTION
TBA	10-Button Backup Station
7051A1071-4	SSSh24-48 - Sensor3 Sound Suppression Hood (ESR24-ESR36-ESR48 racks only)
7051A3073	Multiple Rack Splice Plate
TBA	DH - Document Holder
HW6111	Floor Vibration Mount Kit
HW6109	Wall Vibration Mount Kit (ESR24 racks only)
7071A1033-4	Sensor3 floor pedestal for 24-module rack

Load Wiring Lug Capacity

CONNECTION	WIRE SIZE
15A, 25A and 50A lugs	25mm ²

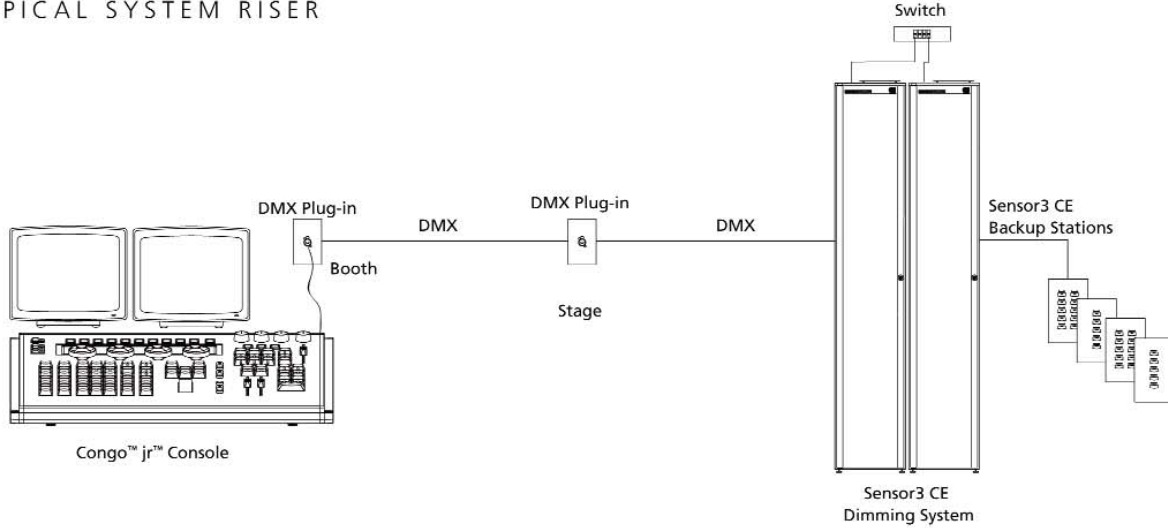
Primary Feed Capacity

MODEL	FEED MAX.
ESR3-48	800A
ESR3-36	600A
ESR3-24	400A
ESR3-12	200A

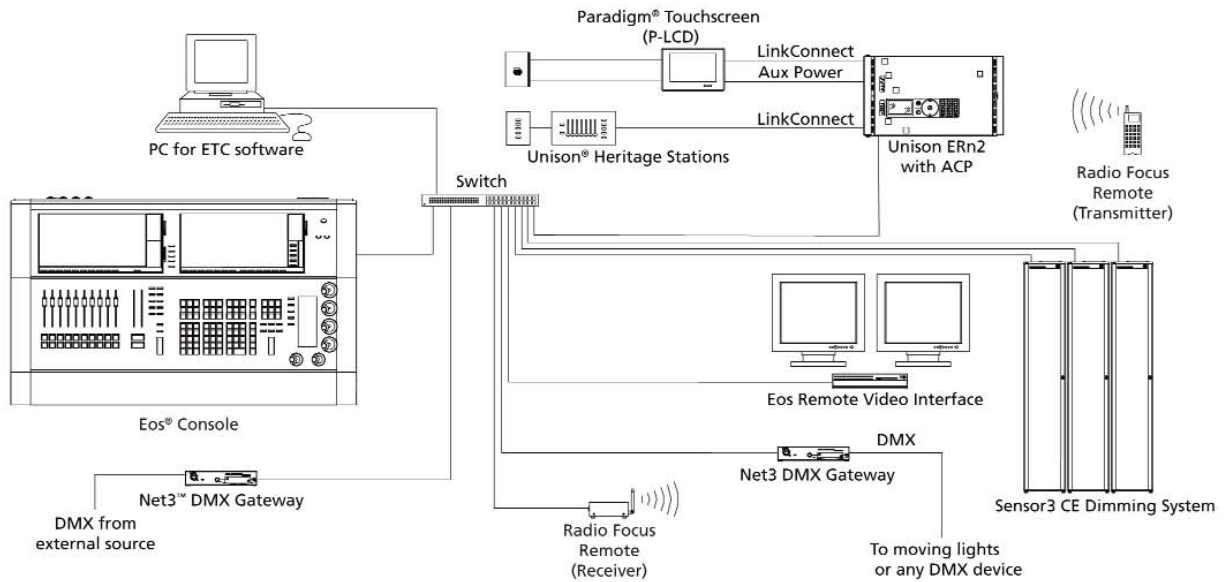
Sensor3 CE Power System installation racks

Sensor3 Series

TYPICAL SYSTEM RISER



TYPICAL NETWORK RISER



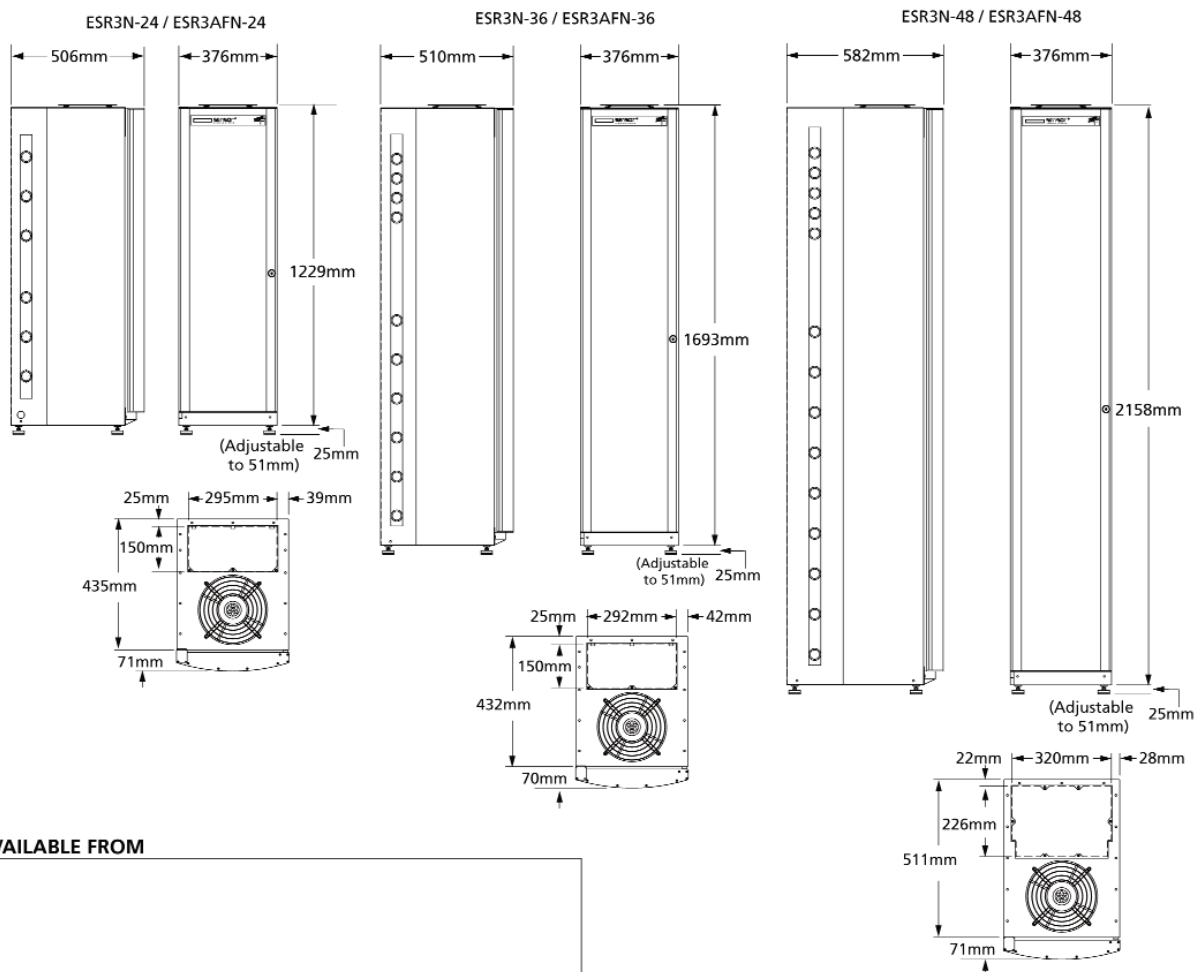
Sensor3 CE Power System installation racks

Sensor3 Series

PHYSICAL

Dimmer Rack Dimensions and Weights

MODEL	HEIGHT	WIDTH	DEPTH	WEIGHT EMPTY	WEIGHT WITH MODULES	SHIPPING WEIGHT
ESR3-48	2158mm	376mm	582mm	126 kg	Approx. 230 kg	250 kg
ESR3-36	1693mm	376mm	510mm	92 kg	Approx. 180 kg	195 kg
ESR3-24	1229mm	376mm	506mm	69 kg	Approx. 130 kg	140 kg
ESR3-12	655mm	376mm	427mm	34 kg	Approx. 65 kg	75 kg



AVAILABLE FROM

