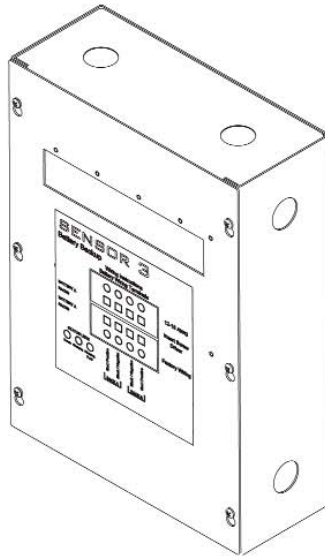


# Sensor3™ BatteryPack Option

## Sensor3 Series

100V 120V 240V



### GENERAL INFORMATION

The BatteryPack Option installs in a separate enclosure from the Sensor3 rack and keeps the processor energized in the event of power loss or interruption to the system. One of two Sensor3 PowerSupport options, the BatteryPack option is designed for applications where CEM3 Power Control Processor must remain online during power loss providing power for several minute or more. Each CEM3 requires its own battery pack. The enclosure can hold up to two battery packs.

#### APPLICATIONS

- Professional Theatre
- Casinos
- Studio
- Schools
- Museums
- Themed Entertainment

#### FEATURES

- Designed for use with Sensor3 Power Control System
- Long term power back-up of control electronics for at least 30 minutes
- Automatically engages when power is lost
- Recharges during normal power operation

#### GENERAL

- UL and cUL LISTED
- CE compliant

### ORDERING INFORMATION

#### Unison BatteryPack Option

MODEL	DESCRIPTION
SR3-BPO	Sensor3 BatteryPack Option
SR3-BPO2	Sensor3 2 BatteryPack Option

#### Compatible Products

MODEL SERIES	DESCRIPTION
SR3	120V UL Sensor3 installation Enclosure
ESR3	230V CE Sensor3 installation Enclosure
HSR	240V UL Sensor3 installation Enclosure

#### Compatible Control Processors

MODEL	DESCRIPTION
CEM3	CEM3 Power Control

# Sensor3™ BatteryPack Option

## Sensor3 Series

### SPECIFICATIONS

#### GENERAL

- Provides power for a single CEM3 Control Processor for a minimum of 30 minutes
- UL and cUL LISTED
- CE Marked

#### FUNCTIONAL

- Designed for use with Sensor3 Power Control Systems
- Compatible with CEM3 Power Control
- Seamless transfer from charge to power output without user intervention
- Recharges during normal power operation
- Prevents CEM3 from rebooting when power returns
  - Allows for immediate control of the full system as soon as normal power is present

#### MECHANICAL

- 18-gauge formed steel construction
- Fine-texture, scratch resistant, epoxy paint
- Field installed without tools
- Visible indicator lights clearly identify when the battery is providing power and if maintenance is required
- Installs using factory provided wire harness

#### ELECTRICAL

- Seamless transfer to battery power upon loss of normal power
- Provides 24vDC power for control processor during power loss
- Provides backup power for 30 minutes during normal power loss
- Automatically recharges from power feed during normal power conditions
- Two hour recharge time from full discharge
- Factory provided connectors for wiring terminations
- UL and cUL LISTED, CE Marked

#### THERMAL

- Ambient room temperature: 0-40°C / 32-104°F
- Ambient humidity: 10-90% non-condensing

### PHYSICAL

#### BatteryPack Option Dimensions\*

MODEL	HEIGHT		WIDTH		DEPTH	
	inches	mm	inches	mm	inches	mm
SR3-BPO	13.9	353.1	10	254	4.1	104.1
SR3-BPO2	13.9	353.1	10	254	4.1	104.1

#### BatteryPack Option Weights\*

MODEL	WEIGHT		SHIPPING WEIGHT	
	lbs	kgs	lbs	kgs
SR3-BPO	10	4.5	13	5.9
SR3-BPO2	12.2	5.5	15.2	7.4

\*Weights and dimensions typical

