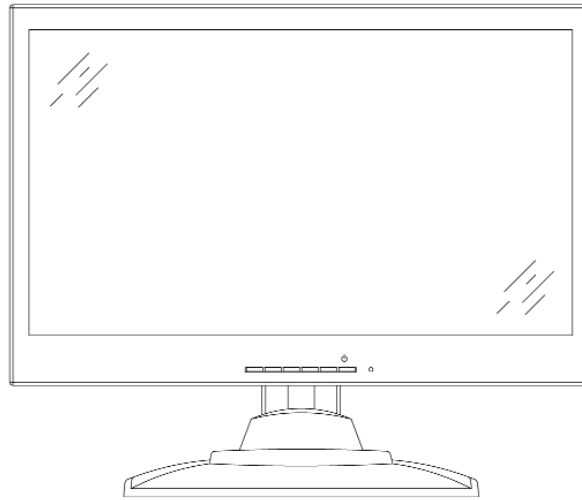


Unison Paradigm™ 18-inch Touchscreen

Unison® Control Series



GENERAL INFORMATION

The 18" Touchscreen is for Unison Paradigm systems that utilize the Paradigm Central Control Server™. This high-resolution LCD interface allows users to have the types of graphical controls and information displays they need for managing their large lighting systems – at the tap of a finger. The Touchscreen is a command center that gives users a big-picture view of their lighting operations. This elegant Touchscreen comes with a convenient tabletop stand or it can be surface-mounted or rack-mounted via optional accessory kits.

APPLICATIONS

- Hotels and Convention Centers
- Theme Parks
- Cruise Ships
- Theaters
- Museums

FEATURES

- 18.5" (1366x768 WXGA TFT) color LCD touchscreen
- Utilizes Virtual Touchscreen (VTS) capabilities of the Paradigm Central Control Server (P-CCS)
- ColorPicker – Support for HSB color picker for dynamic selection of color with LED and multi-parameter fixtures, Timed Event creation, edit, and override from setup menu
- Secure-it Electronic Lockout – configurable, software based access level control with up to three levels of access utilizing numeric pass codes
- NetConnect – making use of low-cost, easy to install Cat5 to connect Touchscreen stations to a networked Paradigm Server System
- USBConnect – Support for USB flash drives for configuration upload and download
- Support of standard or custom graphical control pages

ORDERING INFORMATION

Paradigm™ 18-inch Touchscreen

MODEL	DESCRIPTION
P-TS-18	Paradigm 18" Table Top Touchscreen

Related Accessories

MODEL	DESCRIPTION
P-TS18-RK	Paradigm 18" Touchscreen Rack-mount Kit
P-TS18-WM	Paradigm 18" Touchscreen Wall-mount Kit

Required Products

MODEL	DESCRIPTION
P-CCS	Paradigm Central Control Server

Related Products

MODEL	DESCRIPTION
P-TSI	Paradigm Touchscreen Interface
P-VTS	Paradigm Virtual Touchscreen Application

Unison Paradigm™ 18-inch Touchscreen

Unison® Control Series

SPECIFICATIONS

FUNCTIONAL

- Built-in setup display, separate from user configured pages
- Configuration upload from the following sources:
 - LightDesigner™ software
 - USB Flash Drive, via built in USB port
- Ability to store multiple configurations on one touchscreen and select which configuration is active from an on-screen menu
- Allows at least 30 separate control pages
- Individual zone control
- Preset record and selection
- Room Combine Controls
- Preset, color, sequence, macro, and custom function activation
- Change, initiate, or override timed events
- Multi-level electronic lockout
- Error Reporting for all connected Net3 Devices
- Custom controls configured from LightDesigner software
- Custom graphics from ControlDesigner™ software

MECHANICAL

- Backlit, color 18.5" LCD display with resistive touchscreen interface
 - Resolution: 1366x768 WXGA TFT resolution
 - Pixel Pitch: .300 vertical and horizontal
 - Luminance: 300 cd/m2
 - Contrast Ratio: 1000:1
 - Response Time: 5ms
 - Viewing Angle: 80-degrees vertical, 85-degrees horizontal
- Adjustable brightness and contrast for low light conditions
- 100mm x 100mm VESA mountable
- Fan-less Operation
- Two USB connectors for configuration and software upload
- Table stand included, Wall and Rack-mount kits available
- Manufacturer provided back box and mounting kit available for wall mount applications
 - includes wiring compartments for line and low voltage
 - AC power outlet included
 - RJ45 Ethernet punch down block included

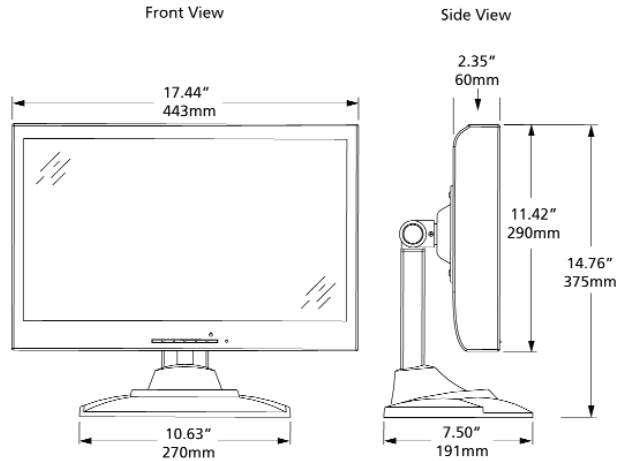
ELECTRICAL

- 120-240VAC Power Input to included 12VDC power supply
- Built in overcurrent and surge protection
- Wiring over CAT 5/ 5e/ 6 standard Ethernet cable
- UL and cUL LISTED, CE marked

THERMAL

- Ambient room temperature: 0-40°C / 32-104°F
- Ambient humidity: 0-90% non-condensing

PHYSICAL



P-TS18 Dimensions*

MODEL	HEIGHT		WIDTH		DEPTH	
	inches	mm	inches	mm	inches	mm
P-TS18 ¹	14.76	375	17.44	443	2.35	60
P-TS18-RK	12.22	311	19.00	483	2.48	63
P-TS18-WM ²	3.50	89	9.56	243	9.16	233

¹Shown above

²Flush back box only

P-TS18 Weights*

MODEL	WEIGHT		SHIPPING WEIGHT	
	lbs	kgs	lbs	kgs
P-TS18	11.65	5.29	15.40	6.99
P-TS18-RK	2.90	1.30	5.90	2.70
P-TS18-WM	6.37	2.90	9.37	4.30

*Weights and dimensions typical