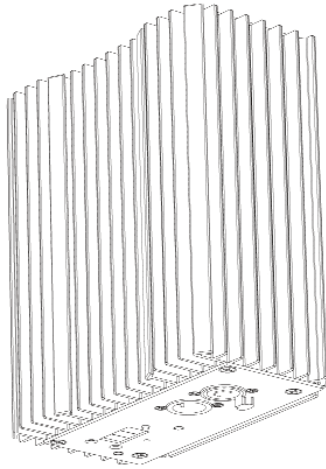


ES1™ CE Dimmer

100V 115/120V 230/240V

Distributed Dimming™ Series



GENERAL INFORMATION

Using ETC's Electronic Silent* (ES) technology and a convection-cooled design, this high-performance dimmer can be used with any tungsten source luminaire up to 1,500W at 230V and 750W at 115V setting. By taking DMX control signals directly, this self-dimming tungsten luminaire can now reside alongside LEDs and moving lights, allowing system designs to focus on switched power and data distribution instead of centralised dimming systems.

APPLICATIONS

- Applications requiring distributed dimming and position flexibility:
 - Theatres
 - Hybrid incandescent, LED and discharge systems
 - Industrial productions
 - Hire inventory
 - Conference and exhibition centres
 - Multi-use venues such as schools and meeting rooms

FEATURES

- ES Dimming technology
 - 230V input to 230V/1,500W or 115V/750W output. (Default setting is 115V/750W output for increased lamp efficiency).
 - Produces no lamp noise (Exceeds all risetime specs)
 - Electronics sound-pressure level less than 0dBA at 1 meter
 - Convection-cooled
- ANSI E1.20 RDM and ANSI E1.11 DMX512A
- Yoke-mount or pipe-mount Universal-mounting bracket included.
- Local operation
 - One-press dim to FULL for easy focusing (press again to release to DMX input)
 - Up and down level control
 - Returns to previous level after power loss

*Sound level pressure falls below minimum audible field 0-20kHz @ < 1 meter from unit

ORDERING INFORMATION

ES1 CE Dimmer

PART NO.	DESCRIPTION
7145A1201-0X	ES1 CE Dimmer, Black
7145A1201-1X	ES1 CE Dimmer, White/Clear
7145A1201-5X	ES1 CE Dimmer, Silver Grey/Clear

SPECIFICATIONS

GENERAL

- Designed for use with tungsten luminaires only. Electronic Silent technology for operation free of dimmer- and lamp-filament noise
- Changes your luminaire into a truly distributed fixture with onboard dimming and control
- Electronic Dimming with harmonic and noise suppression
 - Acoustic specification replaces dimmer rise time

MECHANICAL

- Manufactured with epoxy-painted aluminium body and anodised aluminium heat sink
- Multiple options for yoke- or pipe mounting
- Convection-cooled; operates without cooling fans

ELECTRICAL

- Input power feed:
 - Suggested breaker sizing: 16A
 - Input Voltage ranges: 85-140V, 180-260V
 - Frequency range: 47-63Hz
- Output regulation option for 230V or 115V operation:
 - Acoustic specification replaces risetime
- Bare-end 1.5m power input and output** cables
- 2500V isolation between control and power components
- Max load 1,500W at 230V and 750W at 115V setting
- DMX* In and Thru
- DMX thru is not self-terminating
- Electronic overcurrent protection
- CE compliant

* Represents 1/4 unit device load for purpose of calculating DMX daisy-chain device count (max 32 unit devices per DMX chain)

** WARNING: The dimmer outputs DC power and should either be hard wired to fixture or to a connector suitable for DC power only. Do NOT use a standard AC mains load connector. Please consult your dealer for connector advice.

THERMAL

- Maximum ambient temperature 40°C
- Humidity between 10 - 95%, non-condensing
- Convection-cooled
- Optimum cooling when mounted with heatsink fins in vertical position

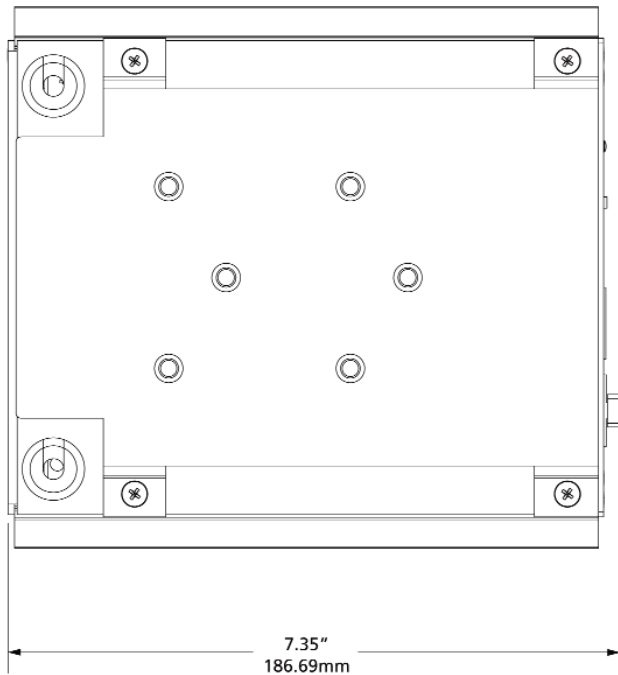
ES1™ CE Dimmer

Distributed Dimming™ Series

SPECIFICATIONS

CONTROL FEATURES

- DMX512A/RDM In and Thru via 5-Pin XLR connectors
- Supports up to 32 units on one DMX line
- RDM features:
 - Discover (flashes light output)
 - Find and set DMX address
 - Change curve
 - Receive overcurrent/undercurrent warnings
 - Receive overtemperature warning
- Three-button local control: Focus/test, up and down
 - Single button dim to full for focus
 - Up/down buttons for setting DMX address or for local intensity control
- One status indicator: Multicolor LED for power, error and valid DMX
- Three selectable dimmer output curves:
 - IES modified square law
 - Linear
 - Switched (50% threshold)



PHYSICAL

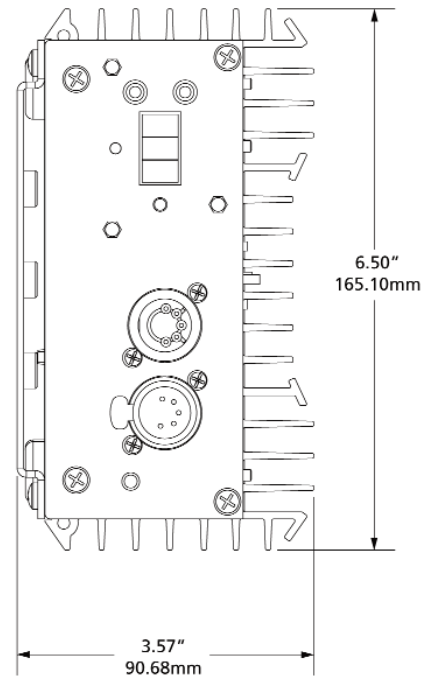
ES 1 Dimensions*

MODEL	HEIGHT	WIDTH	LENGTH
	mm	mm	mm
ES1	165	91	187

ES 1 Weights*

MODEL	WEIGHT	SHIPPING WEIGHT
	kg	kg
ES1	1.8	2.7

*Weights and dimensions typical



AVAILABLE FROM

